

Area Light



Product Specifications

Material: ACD 12 Aluminum Heat Sink. Sturdy powder coated aluminum housing. Salt mist resistance & anti aging. High thermal conductivity.

Wattage: 150W/200W/300W

Bug rating: B3-U2-G3.

Led type: Phillips Lummi LED'S LUXEON 3030 2 D.

Electrical: 120 ~ 277Vac, 50/60Hz Driver.

Power factor: ≥ 90%

Led efficiency: 130 lm/W

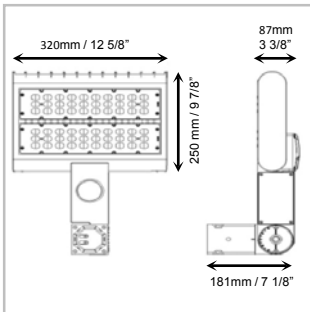
Color temperature: 4000K, 5000K

Operation temperature: -35°C to 50°C

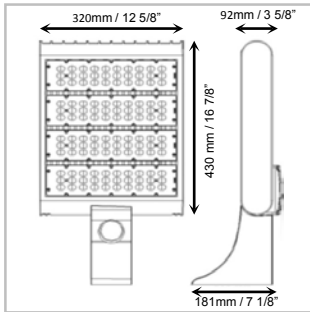
Color Rendering Index (CRI): 85

THD%: 16.28-17.71

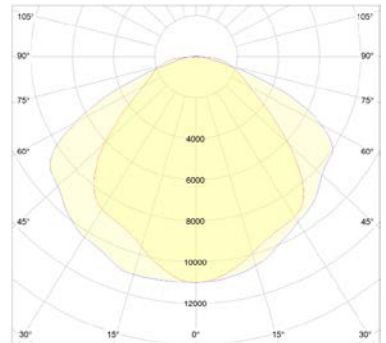
IP Rating: IP65



150W



220W - 300W



Ordering information



Ordering Example: LI -PLF 150-XYZ-150-A-1-1-BR -M1

Series	Wattage	Optic	Color Temp	Optional	Finish	Mounting
LI-PLF	150-XYZ-150= 150W 220-XYZ-220= 220W 300-XYZ-300= 300W	A = 120x90 B = 50x105	1 = 4000K 2 = 5000K	1 = Dimmable 2 = Photocell	Br = Bronze	M1 = Straight Arm Mount M2 = Slip Fitter