

## Product Specifications



**Material:** Die-cast Aluminum housing. Fluted Reflector & Tempered Glass Lens. Aluminum LED Board - High Conductive. Waterproof, Aging Resistance, Salt Mist Resistance.

**Wattage:** 42W

**Led type:** Phillips Lummi LED'S LUXEON 3030 2D.

**Electrical:** 120 ~ 277Vac, 50/60Hz Driver.

**Power factor:** ≥90%

**Led efficiency:** 130 lm/W

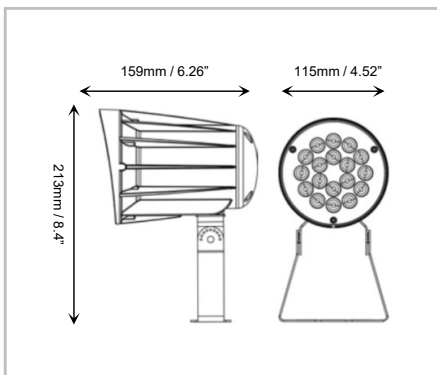
**Color temperature:** 3000K, 5000K

**Operation temperature:** -40°C to 55°C

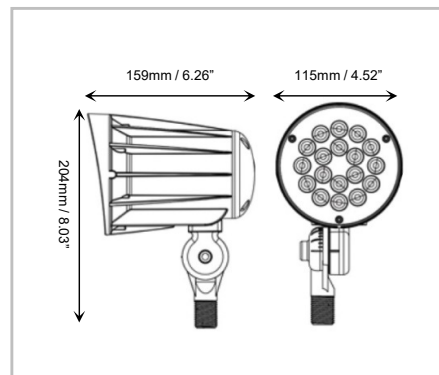
**Color Rendering Index (CRI):** 82

**THD%:** 20

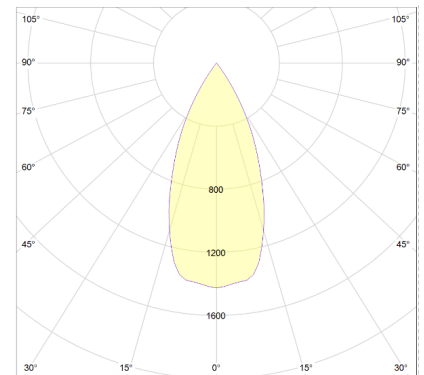
**IP Rating:** IP65



42W - U BRACKET



42W - KNUCKLE



## Ordering information



Ordering Example: LI-FLDG042-YZ-A-1-1-BR-M1



Series	Wattage	Optic	Color Temp	Optional	Finish	Mounting
LI-FLDG028-YZ	42W	A = 15 B = 35 C = 60	1 = 3000K 2 = 5000K	1 = Dimmable	Br = Bronze	M1 = KNUCKLE M2 = U Bracket Trunnion