

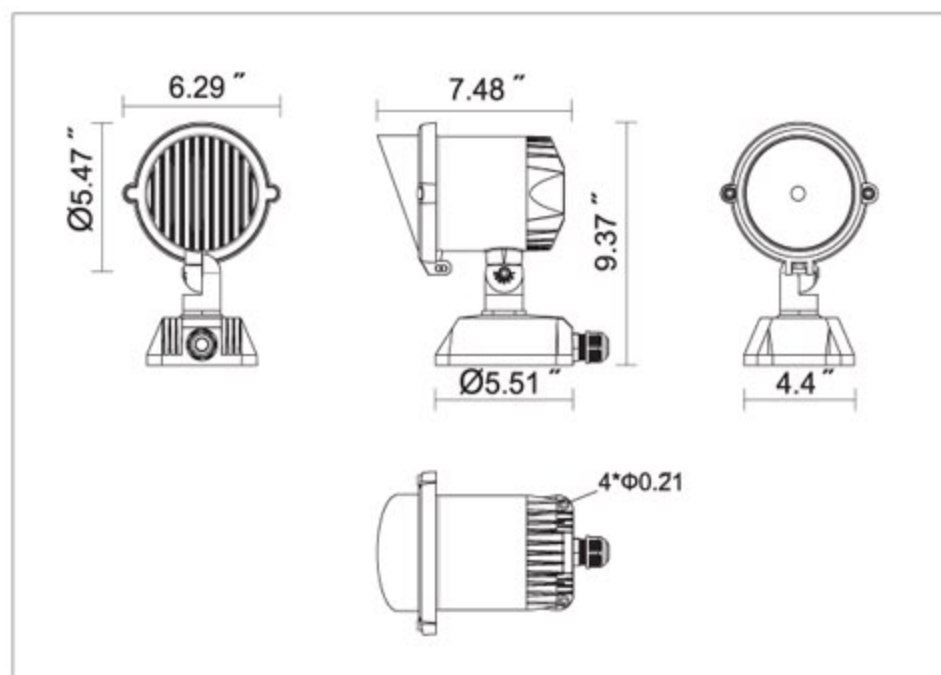


LFL03 LED 20W

Applications

COB LED floodlights with two styles of gear boxes, multiple beam angle options and glare shields for mounting on ground, walls and lawns in commercial and residential applications of accent lighting, façade lighting and landscape lighting.

Dimensions



Specifications

Housing	Die-cast aluminum
Gasket	Silicone rubber
Front Cover	Tempered Glass
Reflector	Anodized aluminum 1090
Surface Finish	AkzoNobel powder coating
Driver Type	Constant current
Input Voltage	120~277V/AC
Ambient Temperature	-20°C~45°C
CCT	3000K - 4000K - 5000K
Beam Angle	15° / 30° / 45°

LED Lumens	3000K - 1570 lm
	20W 4000K - 1670 lm
	5000K - 1830lm

Ingress Protection	IP65
--------------------	------

Certifications	
----------------	--

Options and Accessories

Cover Frame	Ring Upper visor Full visor
Housing Color	Black White Gray
	Round Gear Box Trapezoid Gear Box Horizontal spread Vertical spread Honeycomb Louver
	Standard: Ground Mounting Standard: Wall Mounting Bracket Mounting Tree strap Ground Stake

Ordering Guide:

Example: LFL03 - B20 - 4 - 30 - 80 - CV - T - B

1	2	3	4	5	6	7	8	9
Series	Power	CCT	Beam angle	Ra	Cover Frame	Gear box	Housing Color	Accessories
LFL03	B20: Bridgelux COB 20W	3: 3000K 4: 4000K 5: 5000K	15: 15° 30: 30° 45: 45° AH: H55°xV20° AV: H20°xV55°	80: Ra80 90: Ra90	CR: Ring CV: Upper visor CF: Full visor	R: Round T: Trapezoid	B: Black W: White G: Gray	S: Ground Stake P: Tree strap H: Honeycomb Louver B3: 3ft bracket B6: 6ft bracket M: Marine ambient corrosion resistance