

| | | |
|-------------|------|------|
| Catalog # | Type | Type |
| Project | | |
| Comments | | Date |
| Prepared by | | |

OPTIONS

- SDT: Self-diagnostic feature performs monthly, biannual, and annual tests to ensure reliable operation and meets electrical and life safety codes.

WARRANTY / LISTING

- Five year warranty on all electronics and housing. Battery pro rated for five years.
- Meets UL924, NFPA 101 Life Safety Code, NEC, OSHA, Local and State Codes.
- UL Listed for damp locations (10°C – 50°C).

HOUSING

- Injection-molded, engineering grade, 5VA flame retardant, high impact resistant, thermoplastic in white or black finish.

MOUNTING

- Universal knockout pattern on back plate for surface mount.
- Knockout for conduit applications.
- Suitable for wall or ceiling mount.



Certification Information

| | | | |
|--|--|--|--|
| | | | |
| | | | |

ILLUMINATION

- Long lasting, efficient, ultra bright white LED lamp heads.
- 1.0 watt (1 LED x 1.0 watt) per head.
- Unique all inclusive lamp, reflector and lens assembly. Adjustable LED lamp heads provide up to 50-ft center to- center spacing with 3-ft path of egress at 12-ft mounting height.

ELECTRICAL

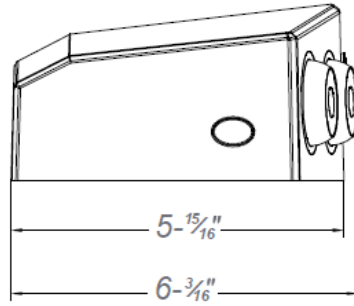
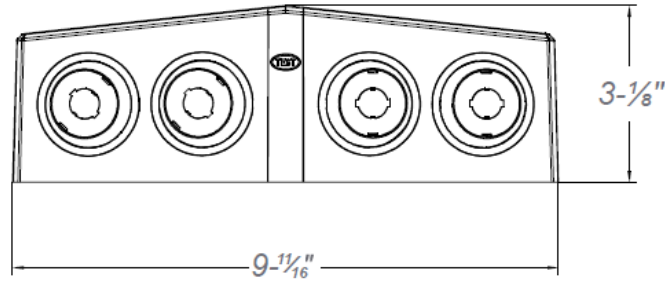
- Universal 120-277 voltage.
- Charge rate/power "ON" LED indicator light and push-to-test switch for mandated code compliance testing.
- 4.8V maintenance-free, rechargeable nickel metal hydride battery.
- Internal solid-state transfer switch automatically connects the internal battery to LED lamp heads for minimum 90-minute emergency illumination.
- Fully automatic solid-state, two rate charger initiates battery charging to recharge a discharged battery in 24 hours.



ORDERING INFORMATION

| ITEM NUMBER | No. of FACES | OPTIONS |
|-------------|--------------|------------------------|
| IL-DEM | W - White | SDT - Self-Diagnostics |
| | B - Black | |
| | | |
| | | |
| | | |

DIMENSIONS



| ELECTRICAL INFORMATION | | | |
|------------------------|-------------------|-------------------|-----------------|
| MODEL | INPUT VOLTAGE (V) | INPUT CURRENT (A) | INPUT POWER (W) |
| IL-DEM | 120-277 | 0.03 | 2.0 |
| IL-DEMSDT | 120-277 | 0.03 | 2.5 |