

Slim Low bay

Product Specifications



Material: Die-cast Aluminum, solid state, high shock & vibration resistant. Highly durable and vandal resistant.

Wattage: 45W/80W

Led type: Philips chip LEDs.

Electrical: 120 ~ 277Vac, 50/60Hz Driver.

Power factor: ≥95%

Led efficiency: 130 lm/W

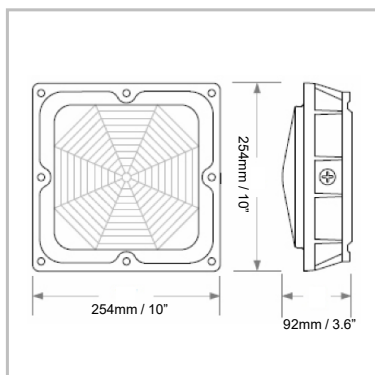
Color temperature: 4000K, 5000K

Operation temperature: -40°C to 40°C

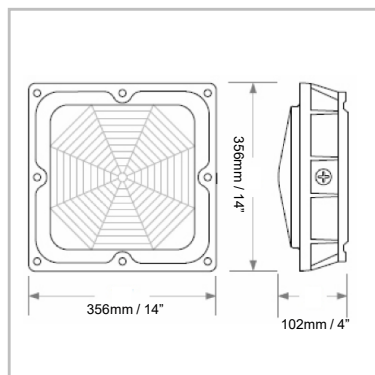
Color Rendering Index (CRI): 84

THD%: < 20%

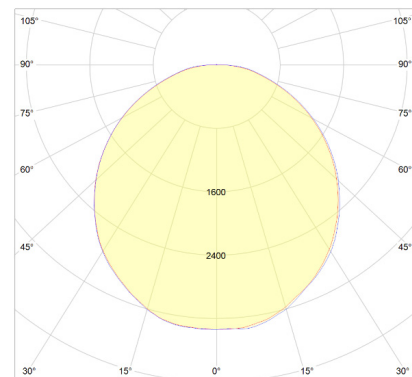
IP Rating: IP65



45W



80W



Ordering information



Ordering Example: LI-WMK50XYZ-50-A-1-1-BR



Series	Wattage	Optic	Color Temp	Optional	Finish
L1-CLC	045XYZZ=45W 080XYZZ=80W	A = 120	1 = 4000K 2 = 5000K	1 = Dimmable	Br = Bronze