



## PRODUCT DESCRIPTION:

This model is specially designed for medium power of COB LED, compact and widely applied, two kinds of watts for option. Die casting aluminum housing and optimized heat dissipation structure ensure longer lifetime and better stability. Precise lighting distribution, various lighting beam angles make it applied in different places and projects. 360°horizontal rotate and 180°vertical adjust. Applied in different outdoor areas, such as architectures, buildings, lawn, garden and etc...

## SPECIFICATION :

- **Product Specification** IL7066 LED 10W, 15W
- **CCT** 3000K, 4000K
- **Housing** Die-cast aluminum
- **Finishes** AkzoNobel powder coating
- **Input Voltage** 120V or 277V (Please Specify)
- **Wattage** 10W, 15W
- **Gasket** Silicone rubber
- **Front Cover** Tempered Glass
- **LED Optic** Polycarbonate Lens
- **Driver Type** Constant current, TRIAC dimming standard
- **Ingress Protection** IP65
- **Ambient Temperature** -20°C~45°C

## ELECTRICAL:

**Input Voltage:** 120V or 277V (Please Specify)

**Color Temperature:** 3000K, , 4000K,

## WARRANTY:

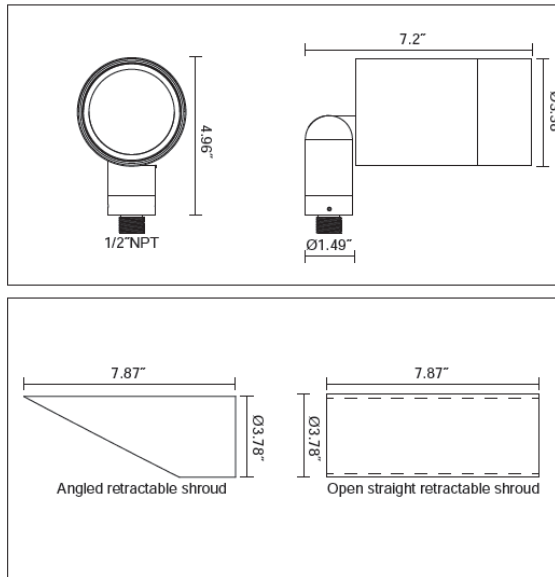
Five-years limited warranty.

## FEATURES:

LED accent light with multiple beam patterns and retractable shrouds, 360° rotatable and 180° tiltable, ideally suited for accent lighting. Miniature size, unobtrusive appearance. NPT 0.5" stem with choices of mounting accessories allow installation on hard surfaces, lawns and trees. TRIAC dimming standard.



## Dimensions



## Options and Accessories



No shroud



Angled retractable shroud



Open straight retractable shroud

### Shroud



Black RAL9011



White RAL9016



Gray RAL7012



Mineral bronze



Silver RAL9006

### Housing Color



Tree strap



Ground stake for junction box



Horizontal spread H40°xV20°



Honeycomb Louver



Mounting bracket A



Mounting bracket B



Mounting bracket C



Junction Box

# IL7066 LED 10W, 15W

## Ordering Example: IL766-4W-30K-15

Series	Watts	Size	Beam Angle	RA	Shroud	Housing Color	Accessories	
IL7066	1 - 4W	1 - 3000K	1 - 15	1 - Ra80	1 - Nos shroud	1 - Black RAL9011	1 - Mounting bracket A	
	2 - 8W	2 - 4000K	2 - 25		2 - Angled retractable shroud	2 - White RAL9016	2 - Mounting bracket B	
			3 - 30		3 - Open straight retractable shroud	3 - Gray RAL7012	3 - Mounting bracket C	
	4 - H40-V20						4 - Mineral bronze	4 - Junction Box
							5 - Silver RAL9006	5 - Ground Stake
								6 - Tree strap
								7 - Honeycomb Louver
								8 - Marine ambient corrosion resistance (TRIAC dimming standard)