

Catalog #	Type
Project	
Comments	Date
Prepared by	

Installation:

- Compatible with BLED2 Series 2" recessed housings (see page 1)
- Two clips provided to secure can to housing on remodel cans
- Trims installed with quick electrical connector and secured to inside of can with integral pressure-fit spring clips

Testing & Compliance:

- Tested in accordance with IESNA LM79 & LM80
- Energy Star Qualified
- cULus Listed for Damp and Wet Locations (not suitable for coastal/ salt water areas)
- Meets state of California Title 24 requirements

Warranty:

- Five year warranty (terms and conditions apply)



Certification Information



SPECIFICATIONS

Construction:

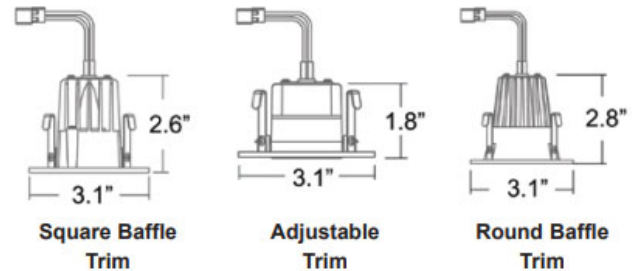
- White painted die-cast trim plate

Optics/ LEDs:

- Long-life LEDs with up to 50,000 hours at 70% lumen maintenance
- Choice of 3000K (±200), 3500K (±200) or 4000K (±200) color temperature with 82 CRI
- Produces 600 lumens output from luminaire with a CCT of 3000K, 3500K and 4000K
- High-power, high-quality Cree LEDs

Electrical:

- Dimmable with most standard incandescent and low voltage dimmers
- Saves 75% compared to incandescent sources
- 120V, 50/60Hz (Line input on BLED2 recessed housing)
- CRI ≥ .90
- 9 Watts power consumption
- Operating temperatures of -30°C to 40°C (-22°F to 104°F)



ORDERING INFORMATION -CANS

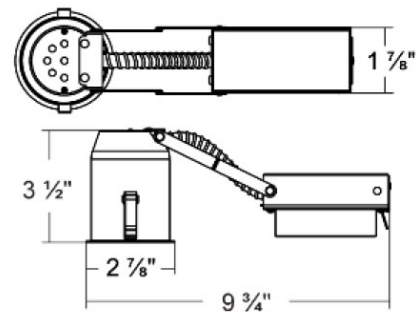
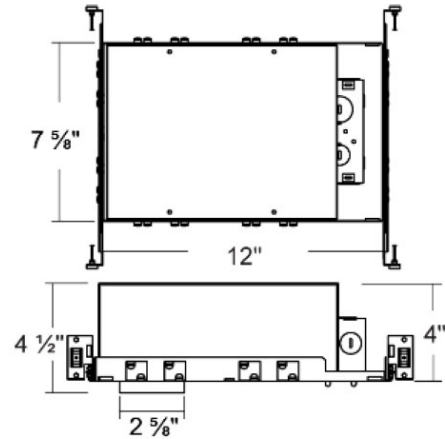
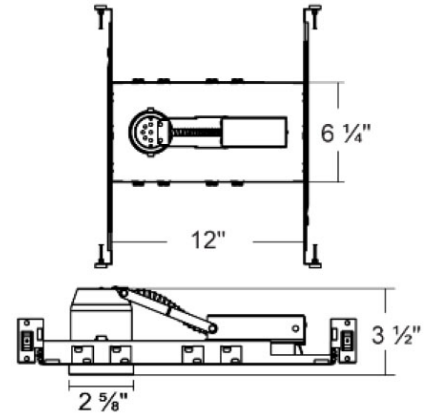
Model	DESCRIPTION
IL-BLED-2T-BW-SQ-3K	2" LED Retrofit Trim, Square White Baffle, 3000K CCT
IL-BLED-2T-GRW-SQ-3K	2" LED Retrofit Trim, Adjustable Square with Gimbal, 3000K CCT
IL-BLED-2T-GRW-SQ-4K	2" LED Retrofit Trim, Adjustable Square with Gimbal, 4000K CCT
IL-BLED-2T-BW-3K	2" LED Retrofit Trim, Round White Baffle, 3000K CCT
IL-BLED-2T-BW-35K	2" LED Retrofit Trim, Round White Baffle, 3500K CCT
IL-BLED-2T-BW-4K	2" LED Retrofit Trim, Round White Baffle, 4000K CCT

Due to continuous improvements, the information herein may be changed without notice

Catalog #	Type	Type
Project		
Comments		Date
Prepared by		



Certification Information



SPECIFICATIONS

Housing Construction:

- Galvanized steel construction
- For use with insulated and non-insulated ceilings
- Housing on IC (insulated ceiling) model can be removed from frame to provide access to junction box

Installation:

- Compatible with BLED-2T Series 2" recessed trims (see page 2)
- Integral T-bar installation slots on bar hangers on new construction models
- Bar hangers on new construction models are adjustable from 13 3/8" to 25" and can be repositioned 90° on plaster frame
- Pre-installed nails in bar hangers on new construction models easily install in regular and engineered lumber joists

Testing & Compliance:

- Energy Star Qualified
- cULus Listed for Damp and Wet Locations (not suitable for coastal/salt water areas)
- Meets state of California Title 24 requirements
- Certified under ASTM-E283 for airtight construction (new construction models only)

Warranty:

5 year warranty (terms and conditions apply)



ORDERING INFORMATION -CANS

Model	DESCRIPTION
IL-BLED2ICN-AT-QN	2" IC Rated Airtight LED recessed housing for new construction
IL-BLED2ICR-Q	2" IC Rated LED recessed housing for remodel