



Surface

Wall

Pendant

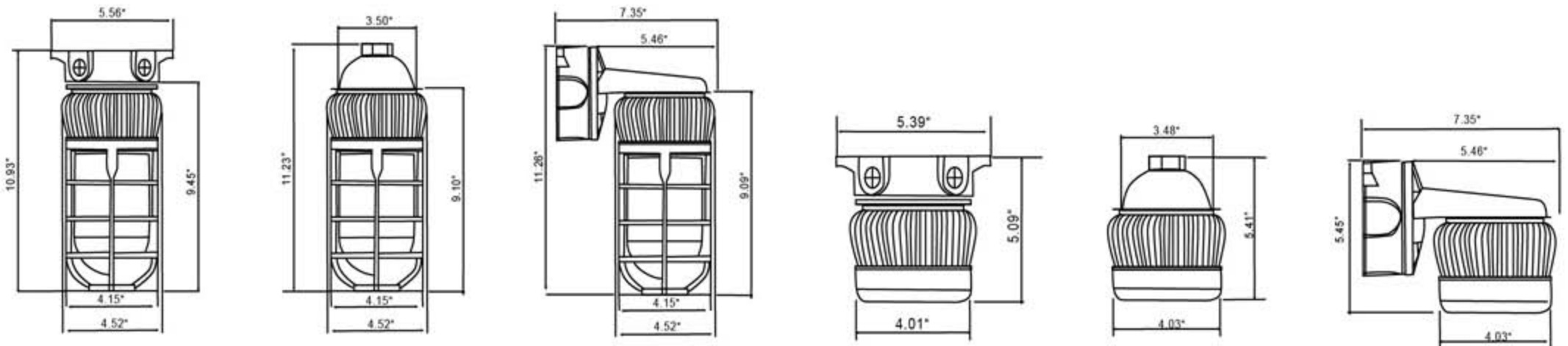


VP02

Product Specifications

- Housing:** Die cast aluminum housing with silicon gasket.
- Lens:** Shallow polycarbonate lens, clear drop glass with guard, or frosted drop glass with guard
- Mounting:** Surface, wall or pendant mount
- Electrical:** 120-277V
- Light source:** Rebel LED, 1123 lumens at 14 watts
- Finish:** Aluminum
- Certification:** UL/cUL, IP65, CE, Lighting Facts, RoHS

Dimensional Drawings:



Ordering information

Example:VP02-6-LED-14-U-40-S-FP

Series	Source	Wattage	Voltage	CCT	Mount	Lens
VP02	LED=LED	14=14W (1123 lm)	U=U (120 thru 277)	40=40 (4000K) 50=50 (5000K)	S= surface W= wall P=pendant	FP= (flat poly) CGG=(clear glass with guard) FGG= (frosted glass with guard)
Size 6=6						

*Consult Factory regarding availability.

