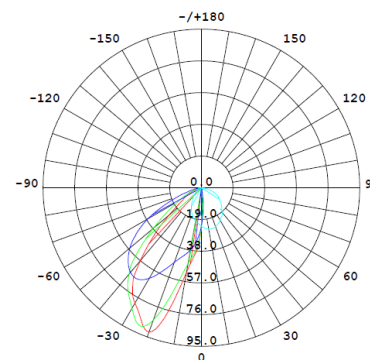
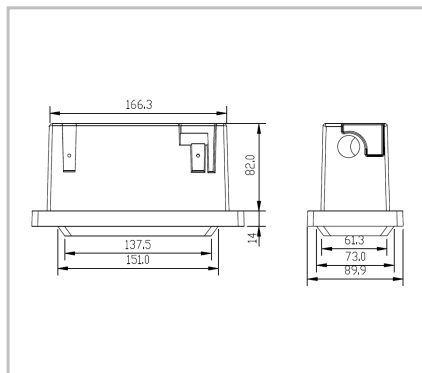
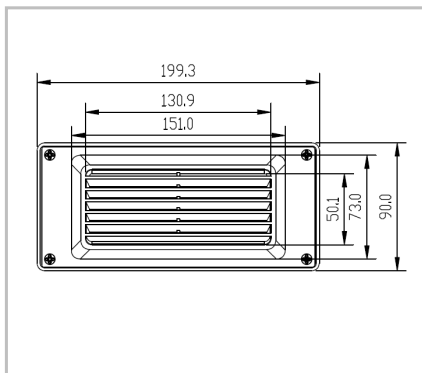


Step Light

Product Specifications



Material: Die-cast Aluminum housing.
 Polycarbonate lens.
Wattage: 8W
Led type: CREE LED.
Electrical: 120 ~ 277Vac, 50/60Hz Driver.
Power factor: ≥90%
Led efficiency: 110 lm/W
Color temperature: 4000K, 5000K
Operation temperature: -20°C to 40°C
Color Rendering Index (CRI): 80
THD%: < 20%
IP Rating: IP65



Ordering information



Ordering Example: SL02-8-L-1-1-B

Series	Wattage	Optic	Color Temp	Optional	Finish
SL02	8 = 8W 10 = 10W	L = Louver	1 = 4000K 2 = 5000K	1 = Dimmable	B = Black