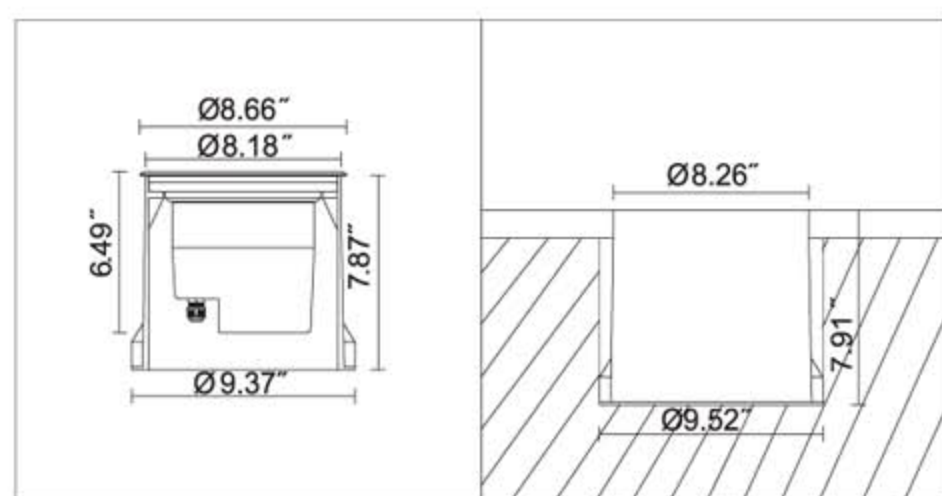


LIGR02 LED 7W, 15W

Applications

Ingrade uplight with DMX controlled RGB color changes as well as dimmable white light, multiple beam angle options including asymmetric spread, and adjustable aiming by manual tilting up to +/-15°, ideally suited for burial installations in concrete and lawns for grazing walls and columns, highlighting art objects such as sculptures and lighting up trees and bushes.

Dimensions



Specifications

Housing	Die-cast aluminum
Gasket	Silicone rubber
Top Cover	Clear Tempered Glass
LED Optic	PMMA Lens
Cover Ring	Stainless steel
Driver Type	Constant current
Input Voltage	120~277V/AC
Ambient Temperature	-20°C~45°C
CCT	3000K - 4000K - 6000K-R-G-B-RGB
Beam Angle	8° / 25° / 15°x50°
Adjustable Aiming	Manual tilting ±15°(Standard)

LED Lumens

	3000K - 540lm
7W	4000K - 600lm
	6000K - 660lm
	3000K - 1080lm
15W	4000K - 1200lm
	6000K - 1320lm

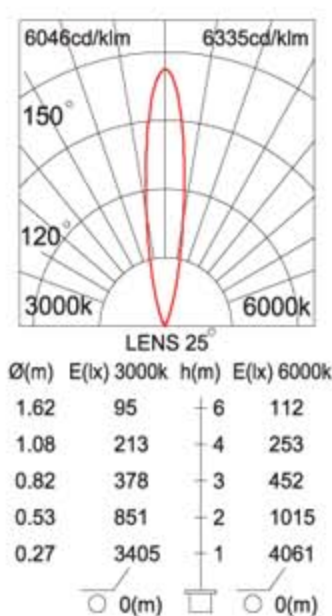
Ingress Protection



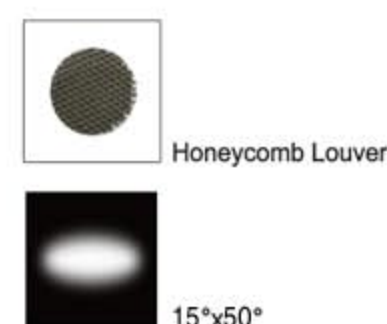
Certifications



Photometric data



Accessories



Ordering Guide:

Example: LIGR02 - C7 - 3 - 08 - 80 - S4 - NDM

1 Series	2 Power	3 CCT	4 Beam angle	5 Ra	6 Cover Ring	7 Control	8 Accessories
LIGR02	C7: Cree 7w C15: Cree 15w	3: 3000K 4: 4000K 6: 6000K R: Red G: Green B: Blue RGB: RGB	08: 8° 25: 25° 1550: 15°x50°	80: Ra80 90: Ra90	S4: 304 Stainless steel S6: 316 Stainless steel	NDM: No dimming DMG: 0-10V Dimming DMX: DMX Decoder	H: Honeycomb Louver M: Marine ambient corrosion resistance