

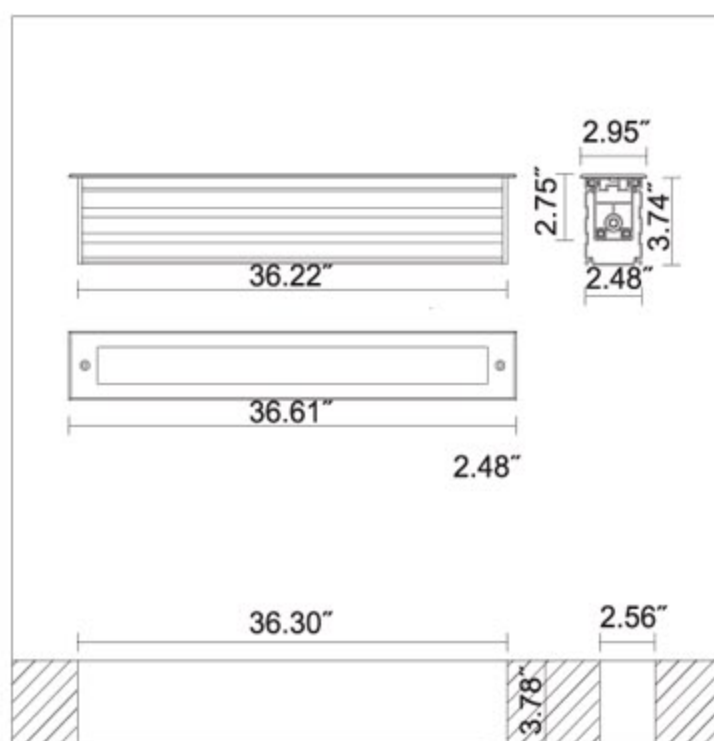


LIGL02 LED 28W

Applications

Ingrade linear uplight with multiple beam angle options including long and narrow pattern and 15° tilt, ideally suited for burial installations in concrete and lawns for wall wash and lighting of ground mounted signs and linear objects. DMX controlled RGB color changes available as well as dimmable white light.

Dimensions



Ordering Guide:

Example: **LIGL02 - C28 - 3 - 15 - 80 - S4 - NDM**

1	2	3	4	5	6	7	8
Series	Power	CCT	Beam angle	Ra	Cover Frame	Control	Accessories
LIGL02	C28: Cree 1Wx24	3: 3000K 4: 4000K 6: 6000K R: Red G: Green B: Blue RGB: RGB	08: 8° 15: 15° 30: 30° 1540: 15°x40°	80: Ra80 90: Ra90	S4: 304 Stainless steel S6: 316 Stainless steel	NDM: No dimming DMG: 0-10V Dimming DMX: DMX Decoder	T: 15° tilt M: Marine ambient corrosion resistance

Specifications

Housing	Extruded aluminum
End Caps	Die-cast aluminum
Gasket	Silicone rubber
Top Cover	Clear Tempered Glass
LED Optic	PMMA Lens
Top Cover Frame	Stainless steel
Driver Type	Constant current
Input Voltage	120~277V/AC
Ambient Temperature	-20°C~45°C
CCT	3000K - 4000K - 6000K-R-G-B-RGB
Beam Angle	15° / 30° / 45° / 15°x40°
LED Lumens	3000K - 2160lm 28W 4000K - 2400lm 6000K - 2640lm



Certifications



Beam patterns

