

Canopy Light

Product Specifications



Material: Aluminum alloy housing. that is corrosion resistant.

Equipped with integral cooling fins. The lens contains high impact heat resistant polycarbonate frosted lens, therefore it won't break due to heat or stress.

Wattage: 120W

Led type: Phillips Lummi LED'S LUXEON 3030 2D.

Electrical: 120 ~ 277Vac, 50/60Hz Driver.

Power factor: ≥95%

Led efficiency: 130 lm/W

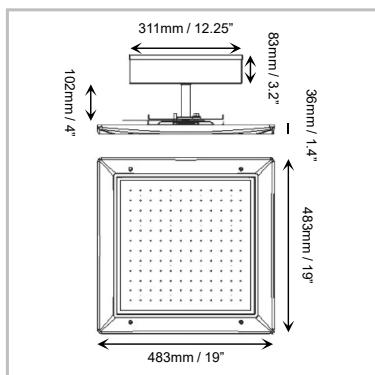
Color temperature: 4000K, 5000K

Operation temperature: -5°C to 55°C

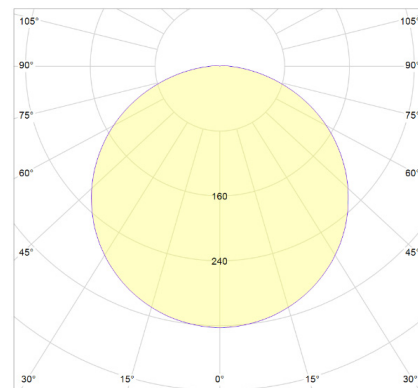
Color Rendering Index (CRI): 84

THD%: < 13%

IP Rating: IP65



120W



Ordering information



Ordering Example: IL-CL120AA-120-A-1-1-WH



Series

Wattage

Optic

Color Temp

Optional

Finish

LI-CL120-AA

120=45W

A = 120

1 = 4000K
2 = 5000K

1 = Dimmable

WH = White