

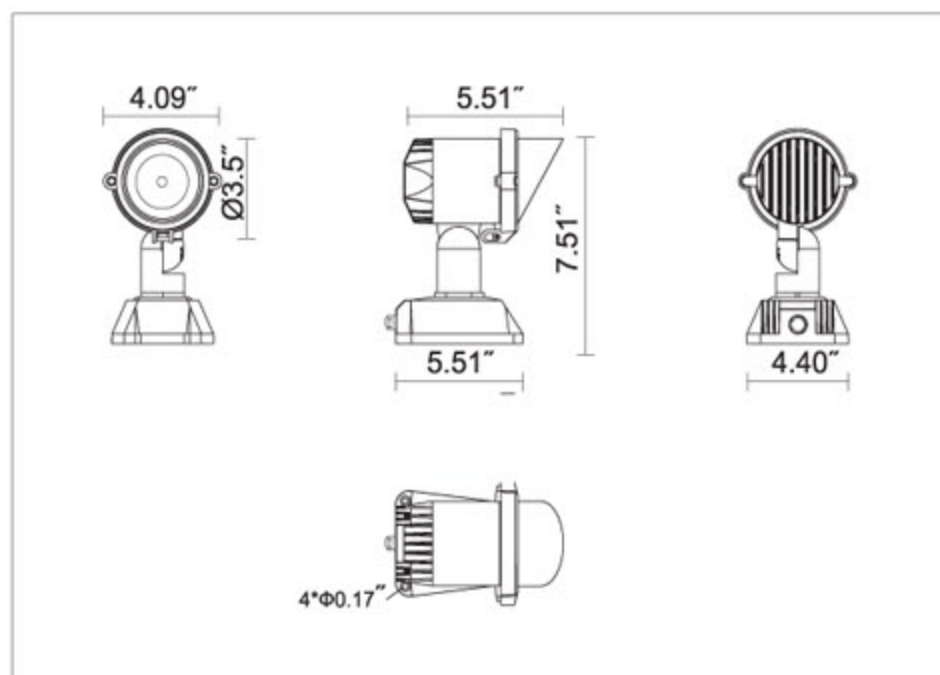


## LFL02 LED 11W

### Applications

COB LED floodlights with two styles of gear boxes, multiple beam angle options and glare shields for mounting on ground, walls and lawns in commercial and residential applications of accent lighting, façade lighting and landscape lighting.

### Dimensions



### Specifications

Housing	Die-cast aluminum
Gasket	Silicone rubber
Front Cover	Tempered Glass
Reflector	Anodized aluminum 1090
Surface Finish	AkzoNobel powder coating
Driver Type	Constant current
Input Voltage	120~277V/AC
Ambient Temperature	-20°C~45°C
CCT	3000K - 4000K - 5000K
Beam Angle	15° / 30° / 45°

LED Lumens	3000K - 910 lm
	11W 4000K - 970 lm
	5000K - 1060 lm

Ingress Protection	IP65
--------------------	------

Certifications	
----------------	--

### Options and Accessories

Cover Frame	Ring Upper visor Full visor
Housing Color	Black White Gray
	Round Gear Box Trapezoid Gear Box Horizontal spread Vertical spread Honeycomb Louver
	Standard: Ground Mounting Standard: Wall Mounting Bracket Mounting Tree strap Ground Stake

### Ordering Guide:

Example: **LFL02 - B11 - 4 - 30 - 80 - CV - T - B**

1 Series	2 Power	3 CCT	4 Beam angle	5 Ra	6 Cover Frame	7 Gear box	8 Housing Color	9 Accessories
LFL02	B11: Bridgelux COB 11W	3: 3000K 4: 4000K 5: 5000K	15: 15° 30: 30° 45: 45° AH: H55°xV20° AV: H20°xV55°	80: Ra80 90: Ra90	CR: Ring CV: Upper visor CF: Full visor	R: Round T: Trapezoid	B: Black W: White G: Gray	S: Ground Stake P: Tree strap H: Honeycomb Louver B3: 3ft bracket B6: 6ft bracket M: Marine ambient corrosion resistance