

## Product Specifications



**Material:** Rugged one-piece die-cast aluminum housing and hinged, removable die-cast aluminum door. One-piece silicone gasket seals the optical chamber. High efficient reflector and Polycarbonate optical lens with UV stabilizers diffuser.

**Wattage:** 50W/80W/120W

**Led type:** Philips chip LEDs.

**Electrical:** 120 ~ 277Vac, 50/60Hz Driver.

**Power factor:** ≥90%

**Led efficiency:** 105 lm/W

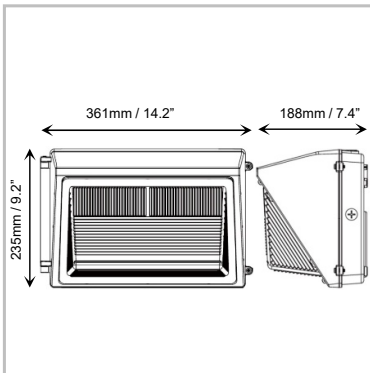
**Color temperature:** 4000K, 5000K

**Operation temperature:** -40°C to 40°C

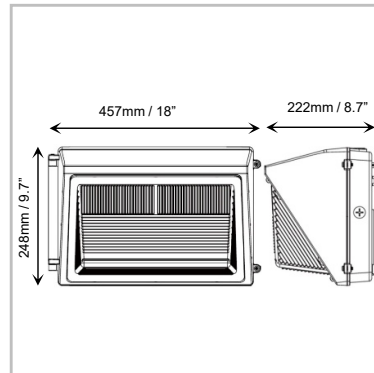
**Color Rendering Index (CRI):** 80

**THD%:** < 20%

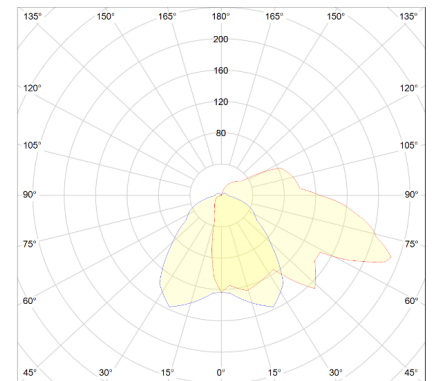
**IP Rating:** IP65



80W - 80W



120W



## Ordering information



Ordering Example: LI-WMG120-AA-120-A-1-1-BR

Series	Wattage	Optic	Color Temp	Optional	Finish
L1-WMG	050-AA=50W 080-AA=80W 120-AA=120W	A = 120	1 = 4000K 2 = 5000K	1 = Dimmable	Br = Bronze