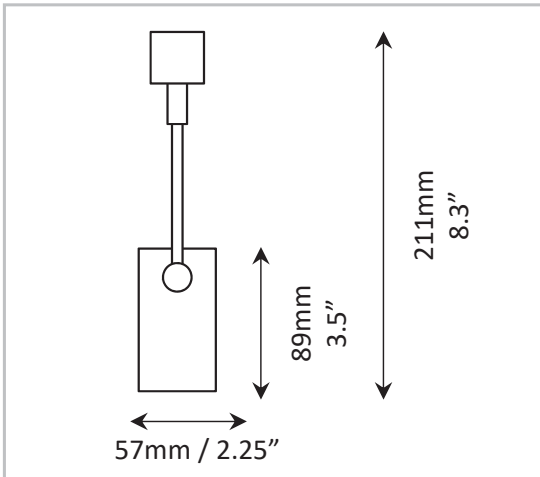


# Track Light



## Product Specifications

**Material:** Die-Cast Aluminum  
**Optics:** 24°  
**Source:** 3000K LED 5W  
**Configuration:** 360° vertical (pan), and 90° horizontal (tilt) pivoting axes with locking screws.  
**Electrical:** 120 ~ 277Vac, 50/60Hz Driver.  
**Power factor:** ≥90%  
**Mounting:** Track adaptor with two circuit tracks.  
**Color Rendering Index (CRI):** ≥80  
**IP:** 20



## Accessories



Track connector



Aluminum 1.2m (3.9 ft)  
2wires track



## Ordering information

Ordering Example: IL-TRH2060-1-2-3-1

Series	Voltage	Color Temp	Finish	Optic	Optional
IL-TRH2060	1 = 120V 2 = 277V	1 = 2700K 2 = 3000K 3 = 4000K 4 = 5000K	1 = White 2 = Black 3 = Brushed Nickel	25°	1 = Non - Dimmable 2 = Dimmable