

BOLLARDS series

360° Bollards

| | | |
|-------------|--|------|
| Catalog # | | Type |
| Project | | |
| Comments | | Date |
| Prepared by | | |



Product Description:

LED Bollard is an economical and energy efficient choice for lighting walkways, plazas and other pedestrian areas in commercial and residential applications as well as any other location requiring a low mounting height light source with fully cutoff illumination.

Features:

- Stainless steel tubing, machined top housing and base.
- Machined S.S top housing assembly removable in one piece for lamp replacement.
- Stainless steel cone reflector and top downlight reflector.

Specification:

MATERIAL:

Stainless steel

LED:

Led efficiency: 85 lm/W

Led type: Cree chips

OPTICS:

360°

DIMMING:

DMX256 class gray degree dimmer, DMX programmable.

Warranty:

Five-years limited warranty.

Electrical:

Input Voltage: 120~ 277Vac, 50/60Hz
Wattage: 13W

Color Temperature: 3000K, 4000K, 5000K, 6000K
CRI: ≥ 80 or 90
Life Time: 50,000 hours

THD%: < 20%

Power factor: ≥95%

Certificate:

ETL

Certificate:

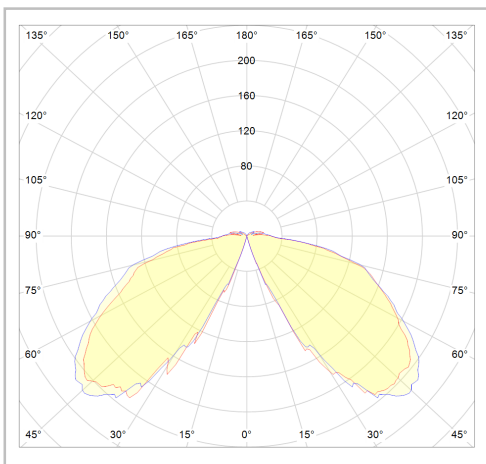
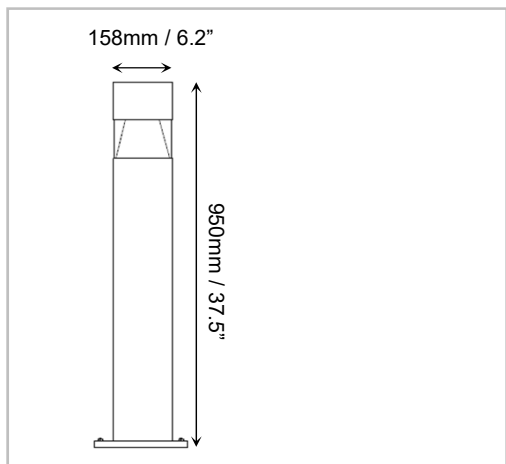
IP Protection: IP65 (wet location)



BOLLARDS series

360° Bollards

DIMENSIONS & PHOTOMETRICS:



Ordering Example: IMPBL5-1-50K-1

| Series | Power | Lumen | Color Temperature | Beam | Finish | Dimmable |
|--------|---------|-------|--|------|--------|----------------------------------|
| IMPBL5 | 1 = 13W | 1105 | 30K = 3000K 40K = 4000K 50K = 5000K 60K = 6000K | 360° | SS | 1 = Non-Dimmable 2 = Dimmable |