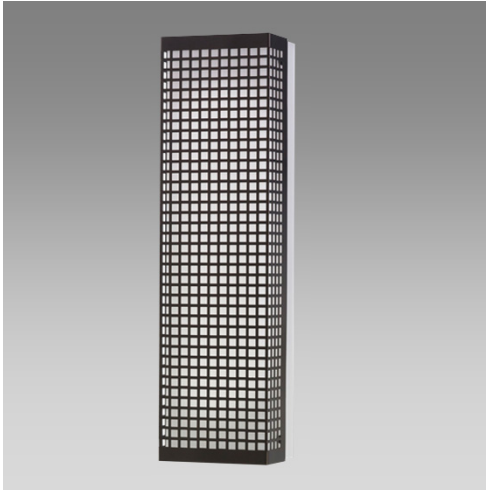


Sconce Lighting

Sconce Lighting LED

| | | |
|-------------|--|------|
| Catalog # | | Type |
| Project | | |
| Comments | | Date |
| Prepared by | | |



Specification:

Overall dimensions: H: 18" W: 5" D 4"

Back plate dimensions: H: 18" W: 4.5" D 1"

Perforated metal grid wrap dimensions: H: 18" W: 5" D: 2.2"

Internal acrylic shade dimensions: H: 18" W 4.5" D: 3 7/8"

Body material: steel

Back plate, perforated metal grid wrap finish color:

Painted #425 olde bronze (finish to match tiger durylic

Additional information:

- **Finish color:**
- Bronze
- **Powder coat:** no
- **Socket type:** (2) E12 candelabra sockets
- **Volts:** 120
- **BULB INCLUDED:** yes,
- **Maximum wattage:** 14 watt
- **Switch:** hardwired
- **Ballast included:** no,
- **Shade dimensions:** H: 18" W 4.5" D: 3 7/8"
- **Shade material and color:** frosted opal white acrylic
- **Note:** UL & CUL rated

Electrical:

Input Voltage: 120V

Certificate:

UL & CUL rated.

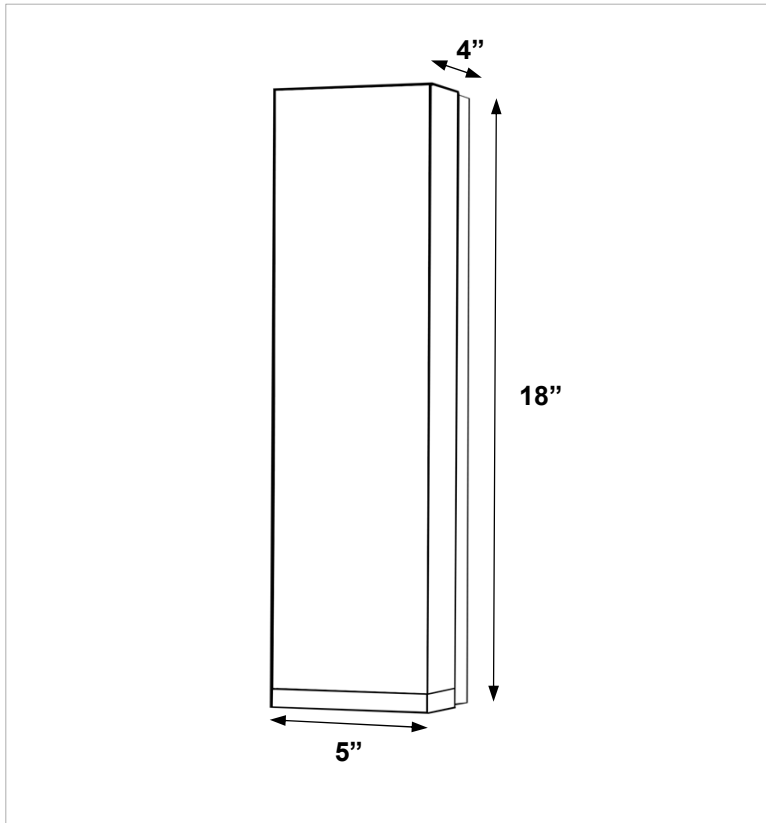
Warranty:

Five-years limited warranty.

Sconce Lighting

Sconce Lighting LED

DIMENSIONS:



Ordering Example: IL-SA512-UNV-N

| Series | Voltage | Options |
|----------|---------|--------------------------|
| IL-SA512 | 120V | N = None D = Dimmable |