

Product Specifications



Material: Aluminum + PC Cover, Low thermal resistance, high efficiency LEDs used, low light decay rate extends LEDs life span to 30,000 hrs..

Optics: 149°

Source: 6W, 12W

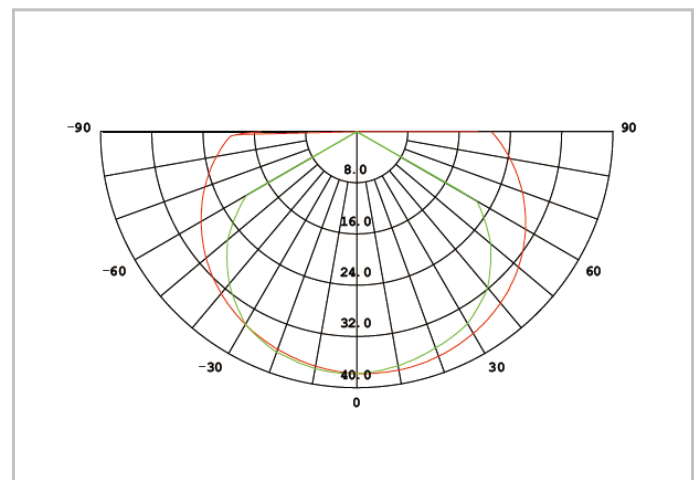
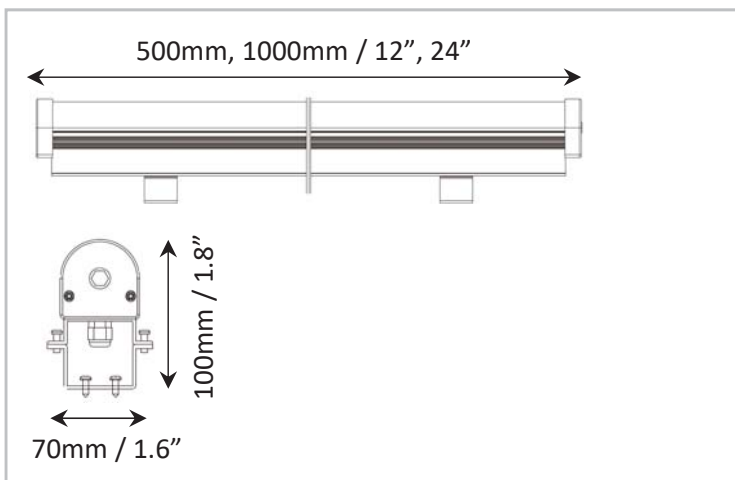
Electrical: 24V.

Power factor: ≥90%

Operating Temperature: -20°C 45°C

Color Rendering Index (CRI): ≥80

IP: 65



Ordering information

Ordering Example: IL-LLS-N4-1-1-1-1

Series	Length	Color Temp	Finish	Optic	Optional
IL-LLS-N4	1 = 20" 2 = 40"	1 = 3000K 2 = 4000K 3 = RGB	1 = White	149°	1 = With DMX 2 = Without DMX