

Product Specifications

Material: Aluminum + PC Cover, Low thermal resistance, high efficiency LEDs used ,low light decay

Optics: 120°

Source: 5W, 10W, 20W

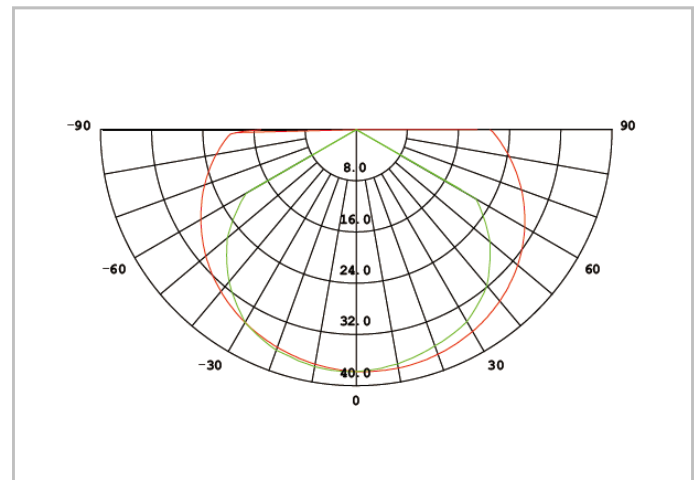
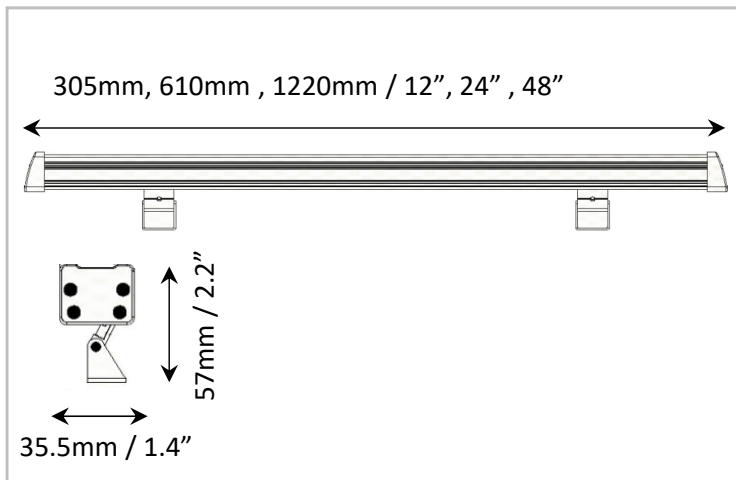
Electrical: 24V.

Power factor: ≥90%

Operating Temperature: -20°C 45°C

Color Rendering Index (CRI): ≥80

IP: 65



Ordering information

Ordering Example: IL-LLS-N4-1-1-1-1

Series	Power - Length	Color Temp	Finish	Optic	Optional
IL-LLS-W35	1 = 5W - 12" 2 = 10W - 24" 3 = 20W - 48"	1 = 3000K 2 = 4000K 3 = 5000K 4 = RGB	1 = White	120°	1 = With DMX 2 = Without DMX 3 = 0-10v Dimming