

SPECTRA series

RECESSED DOWNLIGHT



Catalog #		Type
Project		
Comments		Date
Prepared by		

PRODUCT DESCRIPTION:

The *SPECTRA* downlight series is suitable for most 6 inch recessed housing and perfect fit for new construction and remodel applications. *SPECTRA* designed for areas where high illuminations required. Deep regress LED light source deliver glare free illumination. *SPECTRA* downlight LED chromaticity specification ensures color uniformity and sustainable color rendering index (CRI) and correlated color temperature (CCT) over the life of LED source. High grade aluminum housing dissipate heat that extends the life of fixture. *SPECTRA* series downlight can save energy cost up to 80% compared to traditional downlights. Tool free installation enables electricians to save installation time and energy.

FEATURES:

- 1600 lumen / 20W
- 3000K, 4000K, 5000K
- Integral dimmable driver.
- No tools required for installation.
- Good Heat Dissipation.
- Includes medium base socket adapter and LED quick connector for easy installation in 6" LED dedicated recessed housings.
- Dry, damp, wet locations.
- ETL classified.

SPECIFICATION:

TRIM:

Module construction includes LED, heat sink, reflector, lens, baffle and trim ring.

MOUNTING:

Two steel torsion springs mounting are pre-installed allow for easy and secure mounting in most 5" and 6" IC and non-IC housings.

OPTICS:

Regressed lens.

Impact-resistant polycarbonate

Convex form for lamp-like Appearance, diffusing for even illumination.

DIMMING:

Designed for continuous dimming capability to nominally 10% with many 120V Leading Edge (LE) and Trailing Edge (TE) Phase Control dimmers. (Dimmers with low end trim adjustment offer greater assurance of achieving 10% level).

ELECTRICAL:

Input Voltage: 120V

Lumens / Wattage: 1600lm / 20W

Color Temperature: 2700K, 3000K, 4000K or 5000K

CRI: ≥ 90

Life Time: 50,000 hours

LED Driver

120V 50/60 Hz constant current dimmable driver provides high efficiency operation

If dimming is not required the fixture can be operated from a standard wall switch

CERTIFICATE:

ETL , FCC, Lighting.

POWER CONNECTIONS:

The included E26 medium screw-base Edison adapter provides easy retrofit of incandescent housings

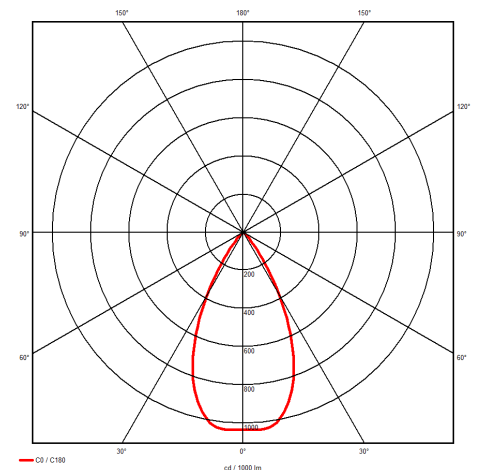
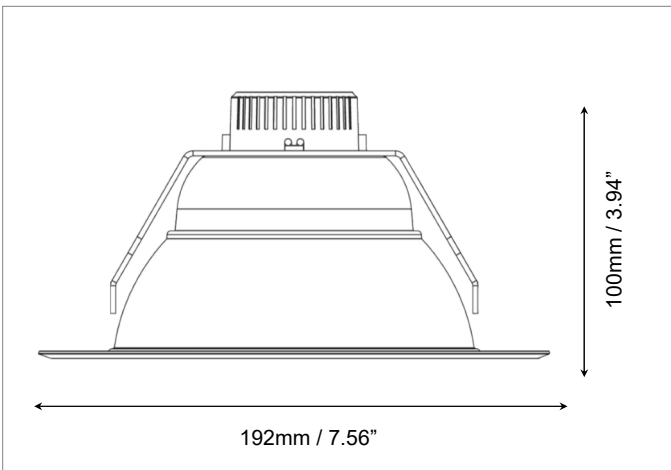
LED connector is a non-screw base luminaire disconnect offering easy installation with the matching 5" and 6" LED housings.

WARRANTY:

Five-years limited warranty.

SPECTRA series

RECESSED DOWNLIGHT



Ordering Example: LI-D536-1-1-1-1-1-1-1-(1/3) (Dimmable/Wet Locations)

Series	Power	Voltage	Color Temp.	Lumen	Beam	Finish	Reflector	Options
IL-D536	1 = 20W	1 = 120V	1 = 3000K 2 = 4000K 3 = 5000K	1550 lm 1600 lm 1650 lm	1 = 30 Deg 2 = 60 Deg	1 = White 2 = Custom	1 = Chrome 2 = Haze 3 = White	1 = Dimmable 2 = Non Dimmable 3 = Wet Locations

IL - D536

Last update: June 14, 2018

Due to continuous improvements, the information herein may be changed without notice



Impulse Lighting Inc.
www.impulselightingusa.com

12603 FM 529 Rd Houston TX

Phone: 855-315-365