

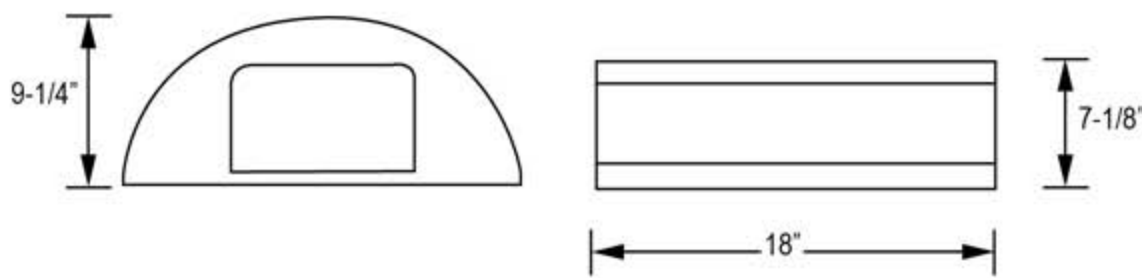


Product Specifications

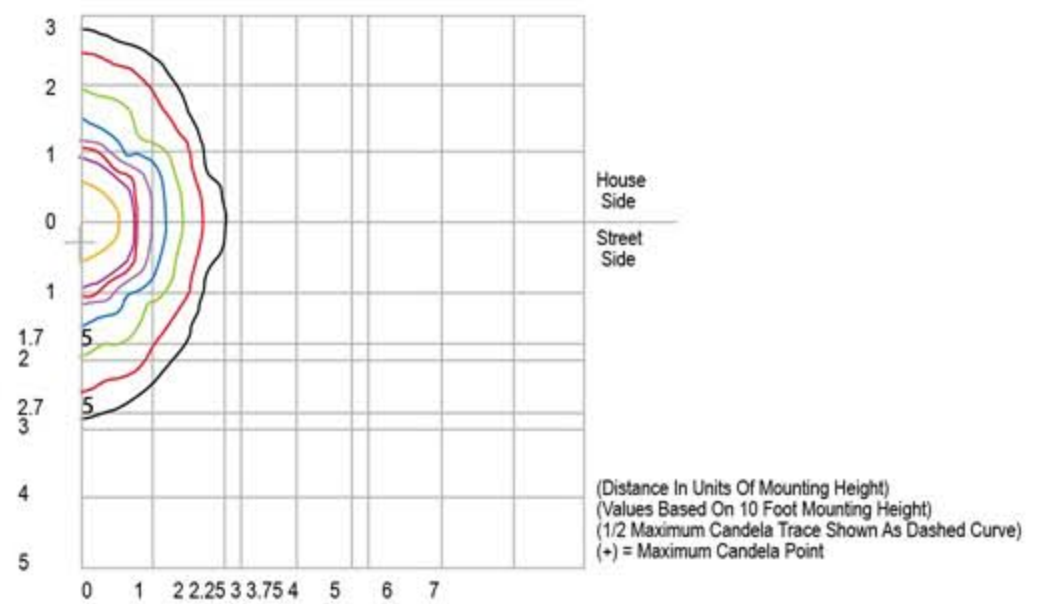
- Housing:** Die cast aluminum housing. One-piece silicone gasket seals hinged door frame.
- Reflector:** Die formed, specular anodized aluminum
- Lens:** Clear tempered glass
- Mounting:** Wall mount. Attaches to standard 4" outlet box.
- Electrical:** 4KV pulse rated medium base socket.
- Light Source:** Pulse start metal halide
- Finish:** Bronze powder coat finish is standard
- Certification:** UL/cUL for Wet location

WP07

Dimensional Drawings:

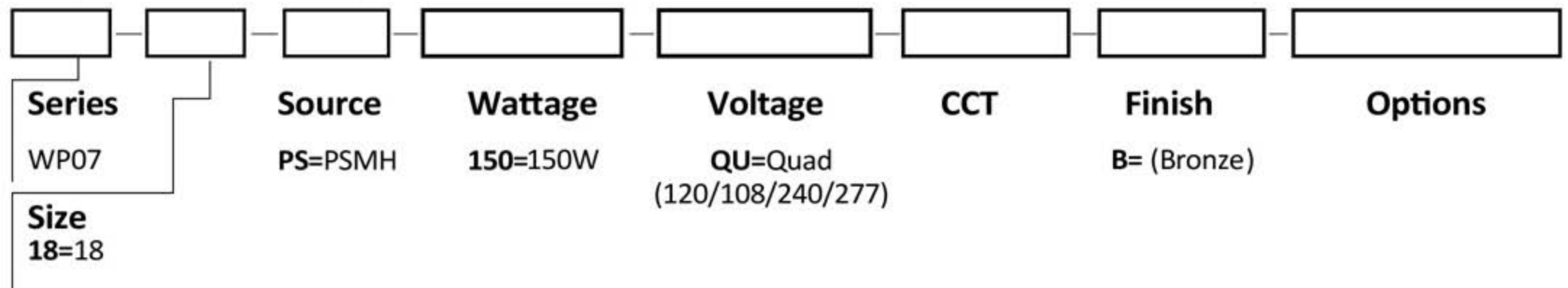


Photometrics:



Ordering information

Example: WP07-18-MH-150-QU-B



*Consult Factory regarding availability.

