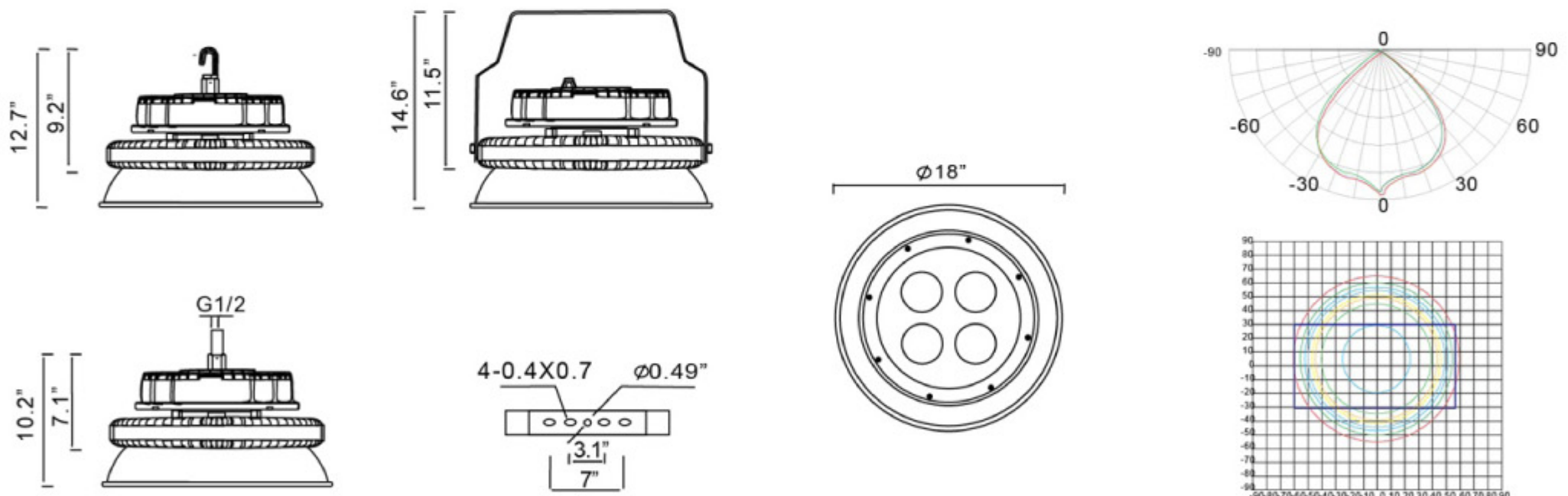


**Product Specifications**

- Body Materials:** Die-Cast Aluminum
- Wattage:** 140W /180W
- Electrical:** AC 100-277V
- Power Factor:** 90%
- Life efficiency
- Rated Avg. Life:** 50,000 CRI: 75
- Aluminum Shields:** 60, 90, 120 degrees
- Warranty:** 5yrs
- IP65-rated for wet locations
- Mounting Method:** Hook + Additional Safety Cord, Pendant
- High efficacy LED Thermal dissipation
- Main Application:** Highbay/Lowbay/Flood
- Operating temp:** -30°F to 120°F
- Certification:** cETLus, UL cULus,CE,IP65

IMPHB2

**Dimensional Drawings:**



**Ordering information**

Example:IMPHB2-18-LED-14-U-30-6-S

Series	Source	Wattage	Voltage	CCT	Beam	Finish
IMPHB2	LED=LED	14=140W 18=180W	U=AC100-277V	30= 3000K 40= 4000K 50= 5000K	6=60 9=90 12= 120	S= (Silver)

\*Consult Factory regarding availability.

