



LP17

**Features:**

- Constructed of Die-formed heavy gauge cold rolled steel
- Extruded opal acrylic lens
- Injection solid polycarbonate end caps
- Ballast cover snap into place eliminating the need for tools
- Painted with a lighting grade baked white enamel, custom color are options
- Easy for lamp replacement and maintance
- Suitable for T5 T8 configurations
- Available in one or two lamps model
- Available in 24 inch to 60 inch

**Electrical:(Option)**

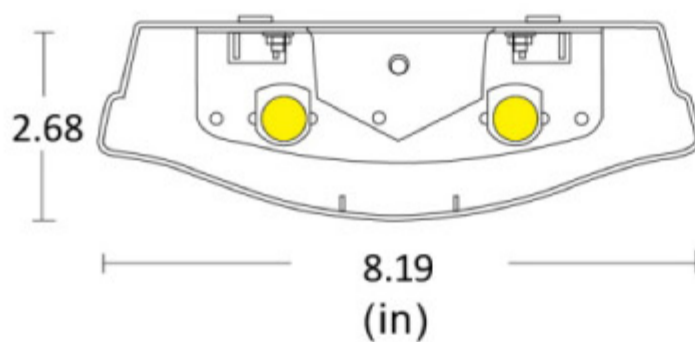
- All electrical components are UL listed
- G13 G5 lampholder from BJB,AAG stucchi or others
- Terminal block,Quick disconnecter from IDEAL or WAGO
- 120V,120-277V,347V,480V electronic ballasts for CANADA,USA
- 220-240v electronic ballast from TRIDONIC, PHILIPS,VS,OSRAM
- Electronic Ballast from ADVANCE,FULHAM,GE, SYLVANIA,UNIVERSAL,ULTRASAVE etc
- Emergency kits or dimmable ballast,occupancy sensor
- Linear fluorescent lamp from GE,Philips,Osram etc
- Free to wire the ballast to fixture if you provide the ballast to factory
- CE,CB,UL cUL listed

**Mounting:**

- Ceiling,surface or pendant mount



**Dimensional Drawings:**



**Ordering information**

Example:LP17-2-T5-14-1-30-DIM

Series	Source	Wattage	Voltage	CCT	Finish	Options
LP17	T5=T5	14=2X14W	1=120V	30=(3000K)	W= White	DIM=DIM
	T5HO=T5HO	T5HO=T5HO	2=120-277V	40=(4000K)	BK*=Black	OC=OC
	T8=T8	32=2X32W	3=220-240V	50=(5000K)	SL*=Silver	EM=EM
	LED=LED	LED=LED		60=(6000K)		
		28=2X28(T5)				
		54=2X54(T5HO)				
		T8=T8				

\*Consult Factory regarding availability.

