

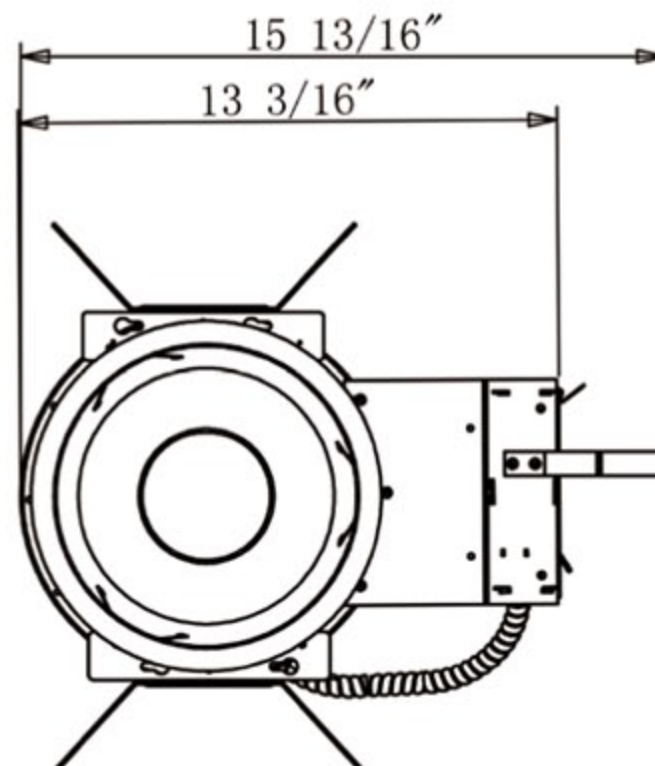
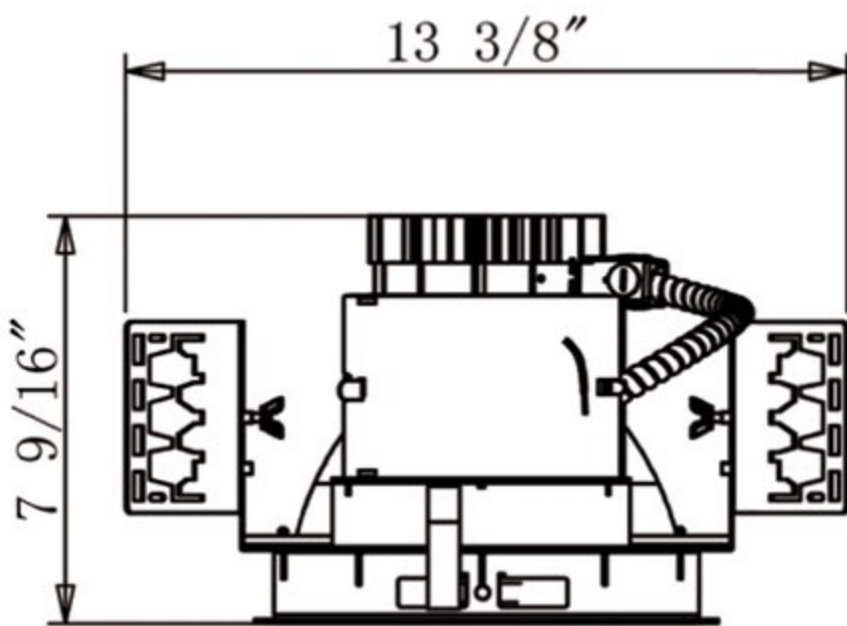


DLAD8

Product Specifications

Model	DLAD8
CCT	3000,4000,5000K
Description	8" Architectural LED Downlight
Dimensions	7 9/16" H x 13 3/8" D x 15 13/16" L
Dimming	Dimmable capability to 10% of initial light output with a 0-10 Volt dimmer
Wattage	25W, 37W, 50W
CRI	>80
Finishes	White
Input Voltage	120V-277V
Driver Efficiency	50Hz to 60Hz at 120/277V input
Suitable	Dry/Damp location
Lumens	2000-4000
Power Factor	PF > 0.9
Rated Life	50000 hours at 70% Lumen output
THD	Produces less than 20% THD
Certification	ETL
Warranty	5 years
Emergency	Emergency Battery Backup option

Dimensional Drawings:



[DOWNLOAD SPECIFICATION SHEET](#)

Input Power	Lumens
25W (+/- 5%)	2000LM
37W (+/- 5%)	4000LM
50W (+/- 5%)	