



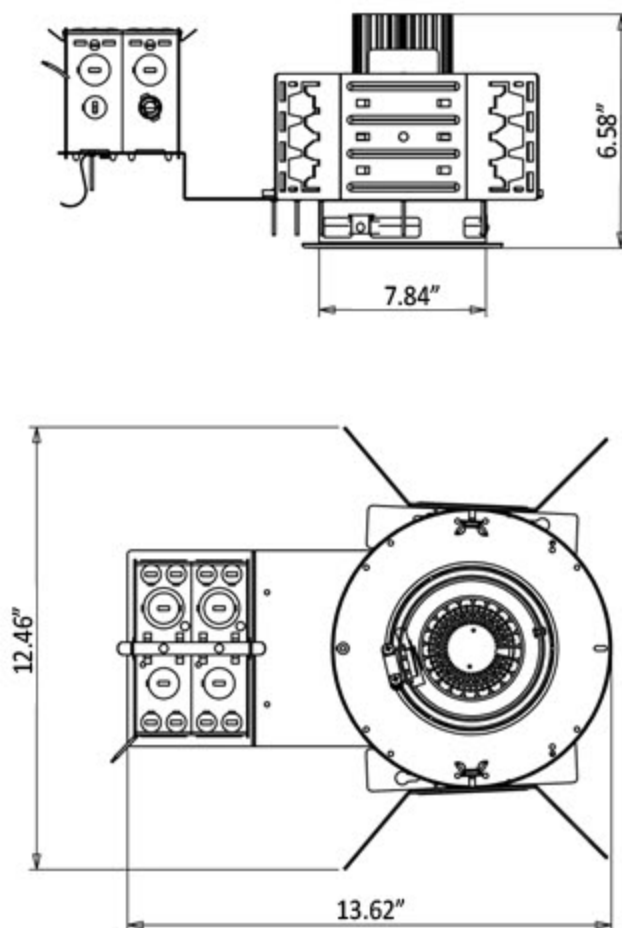
DLAD4

Product Specifications

4inch LED Architectural Downlights

- Housing:** Die- form Steel, rust protection, 16 gauge steel
- Mounting:** Recessed, Universal mounting brackets accept flat hanging bar, LED Driver in J-box
- Electrical:** 50 to 60 Hz, 100-277V AC #18AWG wire
- Dimming:** AC Dimming, DC Dimming
- Wattage:** 11W, 15W, 18W 25W
- Dimming:** 27w AC-yes, 14w-no
- Lumens:** 900-1200-1500-2000 LM
- Efficacy :**> 70LPW
- CRI:** Ra>80
- CCT Options:** 3000K, 4000K, 5000K
- THD:** < 20%
- PF:** >0.9
- Standard Warranty:** 5 Years
- Standard Lifetime:** 50,000 hours
- Mounting:** Recessed
- Certification:** ETL

Dimensional Drawings:



[DOWNLOAD SPECIFICATION SHEET](#)

Input Power	Lumens
11W (+/- 5%)	900LM
15W (+/- 5%)	1200LM
18W (+/- 5%)	1500LM
25W (+/- 5%)	2000LM

